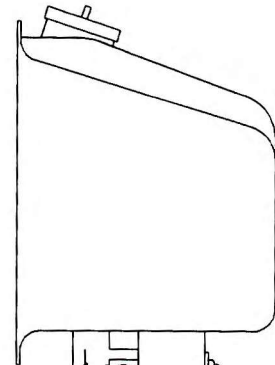
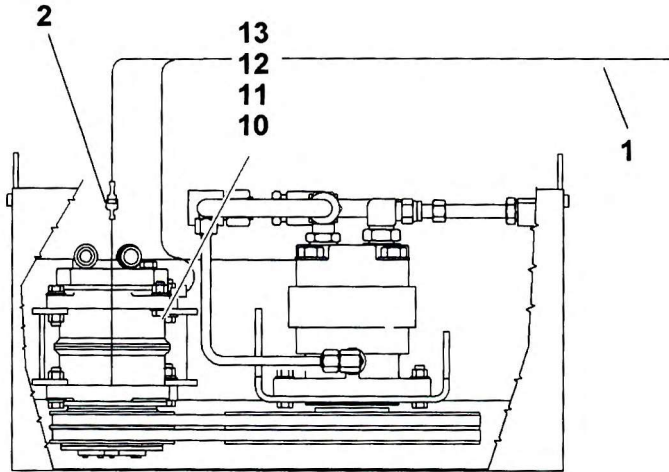


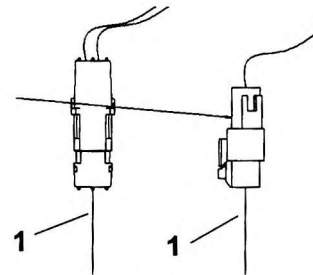
**VIEW H**  
BRAKE LOW  
PRESSURE SW  
LOCATED ON HYD  
BRAKE VALVE



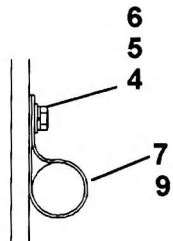
**VIEW E**  
WASHER BOTTLE



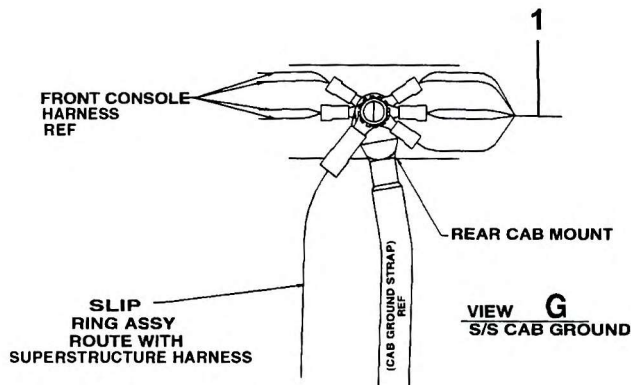
**VIEW C**  
TOP VIEW OF AC COMPRESSOR  
AND MOTOR ASSEMBLY



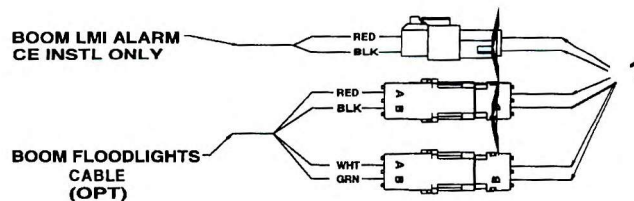
**VIEW D**  
A/C CONDENSER



**VIEW F**  
HARNESS CLAMPS



**VIEW G**  
S/S CAB GROUND



**VIEW J**  
BOOM FLOODLIGHTS  
CE LMI ALARM

(SHEET 1 OF 2)

